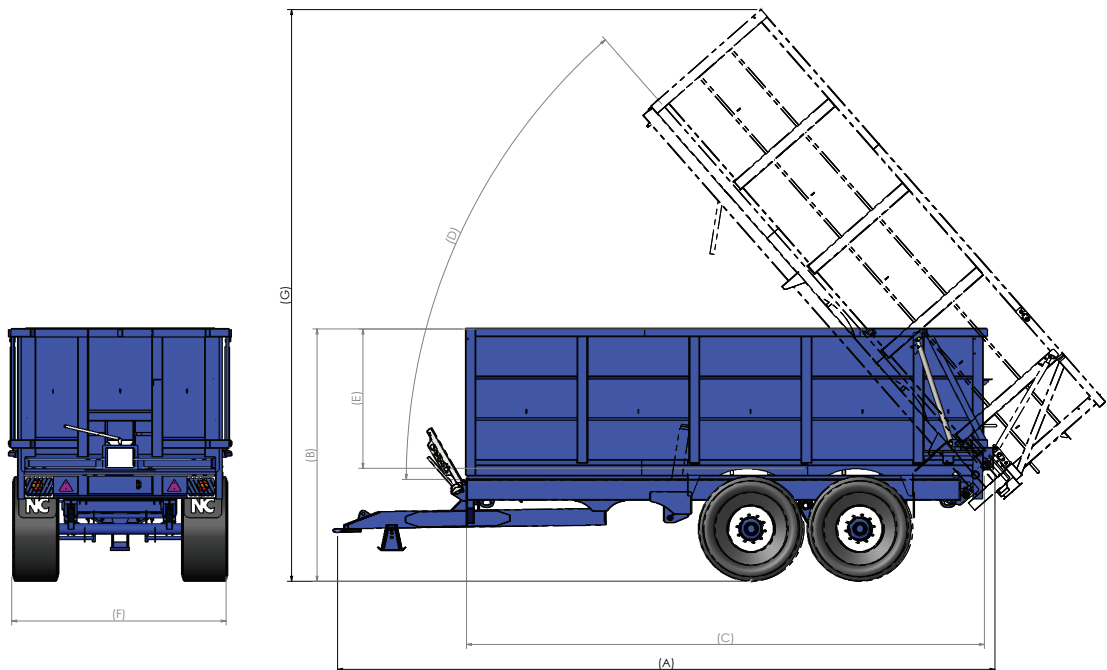


- 50° Tipping angle
- Tandem spring suspension
- 100mm taper front to back
- Monocoque designed body
- Sprung Drawbar
- Hydraulic Brakes
- Galvanised Front Ladder
- Full RTA approved lights
- 10-12 Tonne models fitted with 40kph axles
- 13-18 Tonne models fitted with high speed as standard
- 5mm floor 4mm sides





	10T Grain Trailer 16"x4'6"	12T Grain Trailer 18"x4'6"	13T Grain Trailer 16"x5'6"	14T Grain Trailer 18"x5'6"	14T Grain Trailer 20"x5'	16T Grain Trailer 20"x5'6"	16T Grain Trailer 20"x5'6"
Overall Length (A)	6.76m	7.37m	6.75m	7.37m	7.99m	7.99m	8.59m
Overall Height (Grain Trailer) (B)	2.59m	2.59m	2.91m	2.91m	2.76m	2.91m	2.78m
Body Length (C)	5.01m	5.62m	5.01m	5.62m	6.23m	6.23m	6.84m
Tipped Angle (D)	52 °	50 °	52 °	50 °	49 °	49 °	49 °
Height From Floor To Top Of Grain Side (E)	1.37m	1.37m	1.67m	1.67m	1.52m	1.67m	1.52m
Overall Body Width Rear (F)	2.45m	2.45m	2.45m	2.45m	2.45m	2.45m	2.45m
Max Tipping Height Grain Trailer	5.75m	6.24m	5.97m	6.45m	6.88m	6.97m	7.27m
Grain Trailer Capacity	14.63m ³	14.48m ³	17.9m ³	20.15m ³	20.37m ³	22.41m ³	22.42m ³
Overall Height 8'x5' Silage Trailer	3.66m	3.66m	3.66m	3.68m	3.68m	3.68m	3.68m
Height Fom Floor To Top Of Silage Side	2.44m	2.44m	2.44m	2.44m	2.44m	2.44m	2.44m
Floor Thickness	5mm	5mm	4mm	4mm	5mm	4mm	5mm
Side Thickness	4mm	4mm	3mm	3mm	4mm	3mm	4mm